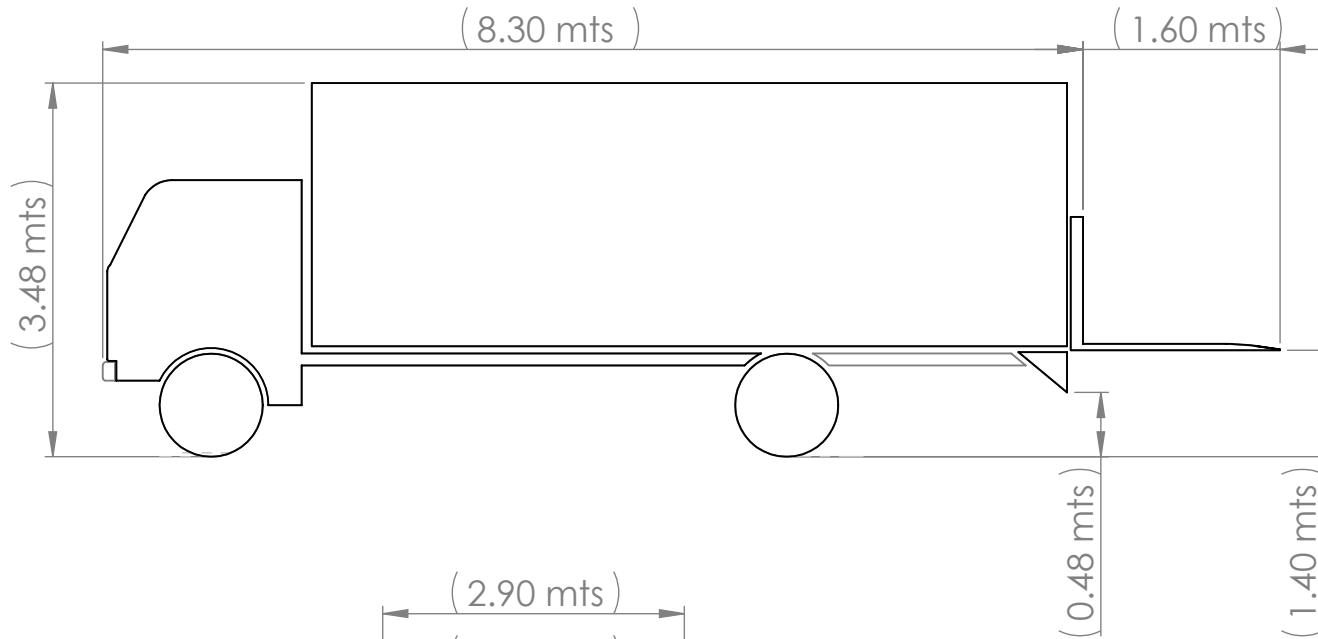


2

1

Vista lateral

Cabina

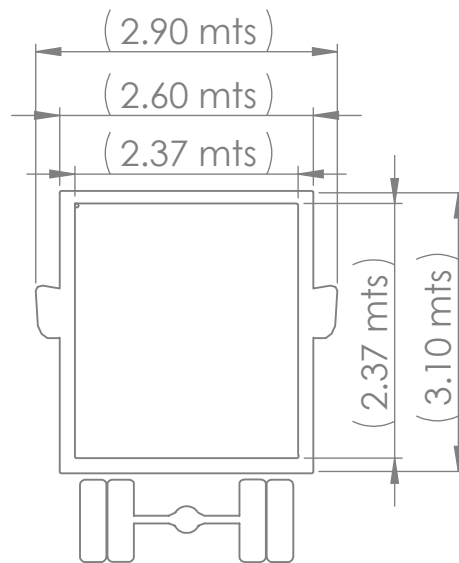
Caja

(8.30 mts)

Rampa

(1.60 mts)

(2.49 mts)

Vista superior**Vista posterior**

	NAME	DATE
DRAWN	LEONARDO T.	12/08/20
CHECKED	ANDRES B.	12/08/20
APPR.	FEDERICO B.	12/08/20
APPR.		
Q.A.		
COMMENTS:		

TITLE: DIMENSIONES
CAMION DELIVERY

SIZE	DWG. NO.	REV
A	0001	0

SCALE: 1:10

SHEET 1 OF 1

B

B

A

A

2

1